



www.as-schwabe.de

Energyline XL



the perfect light source for large areas



© Michael Evans

Energyline XL

LED floodlight for large areas

Technical data

- Premium large-area floodlight for robust applications such as those on construction sites, in underground mining, in warehouses and industrial halls as well as on playing fields and in stadiums.
- With robust adjustable bracket for installation on cranes, onto the wall or onto other equipment
- Extremely impact-resistant die-cast aluminium housing with impact protection IK08
- Polycarbonate diffusing disc with special lenses for better light distribution
- Extremely long-lasting high-performance- LEDs with a lifespan of over 50,000 hours
- Very high colour rendering with a CRI of over 80
- Colour temperature: 4000 kelvin (neutral white)
- Beam angle: 90°
- Connection: 230 V/50-60 Hz
- **IP66:** dust-tight and water-tight for outdoor use



Model	Luminous flux	Connection	EAN	Art. no.
XL180	180 W Approx. 25200 lumen	4.5 m rubber power cable H07RN-F 3G1.5 with shock-proof plug	4011160462719	46271
XL540	540 W Approx. 75600 lumen	10 m rubber power cable H07RN-F 3G1.5 with shock-proof plug	4011160462726	46272
XL1080	1080 W Approx. 151200 lumen	25 m rubber power cable H07RN-F 3G1.5 with shock-proof plug	4011160462733	46273



XL1080

1080 watt
Approx. 151200 lumen
Art. no. 46273



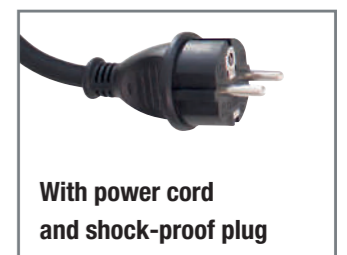
XL180

180 watt
Approx. 25200 lumen
Art. no. 46271



XL540

540 watt
Approx. 75600 lumen
Art. no. 46272



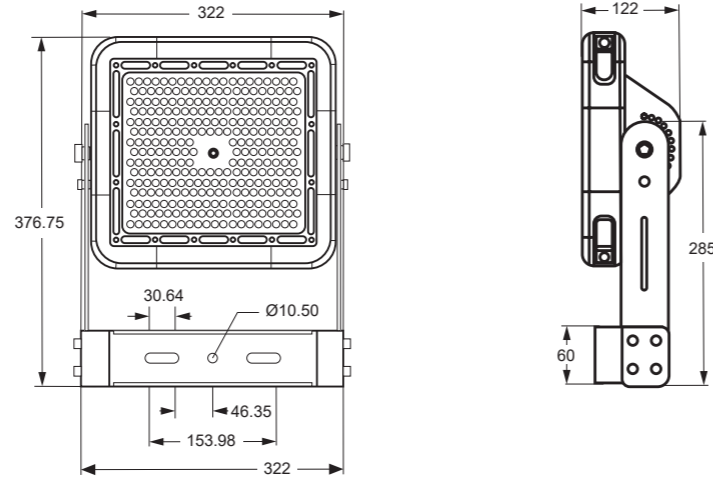
With power cord and shock-proof plug

Energyline XL

Dimensions in mm

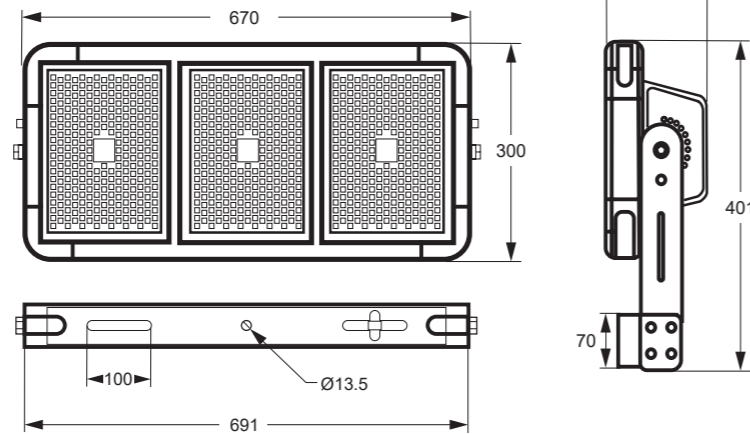
XL180

180 watt
Approx. 25,200 lumen Art. no. 46271



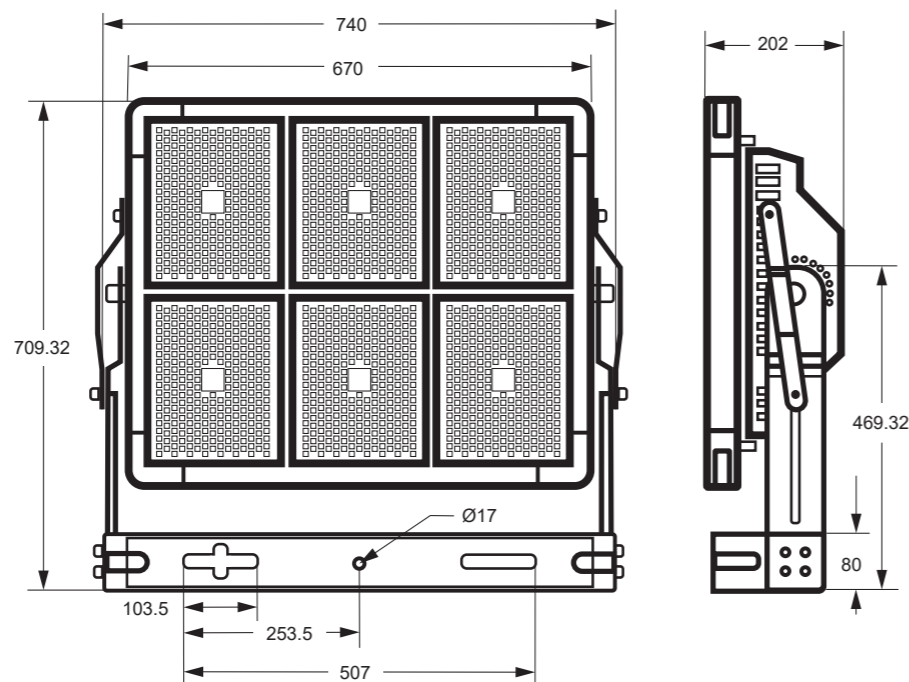
XL540

540 watt
Approx. 75,600 lumen Art. no. 46272



XL1080

1080 watt
Approx. 151,200 lumen Art. no. 46273

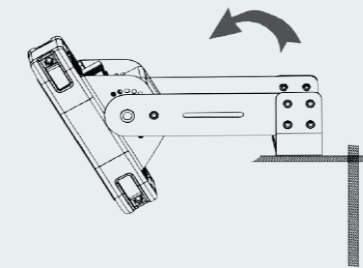


Installation options

The installation bracket for all models consists of two links that can be assembled either straight or at a 90° angle. The bracket can be easily adapted for installation depending on the particular area of application.

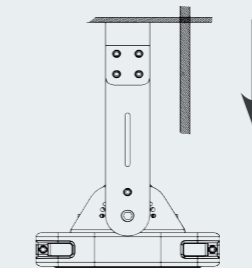
Wall mounting

For installation onto the wall above loading ramps, in entrances, on scaffolding, cranes or vehicles etc.



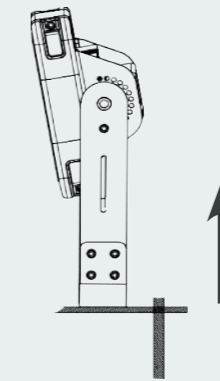
Suspended installation

For ceiling installation in warehouses or industrial halls, on scaffolding or cranes etc.



Upright installation

For installation on tripods and on scaffolding, railings or vehicles etc.



Mobile use

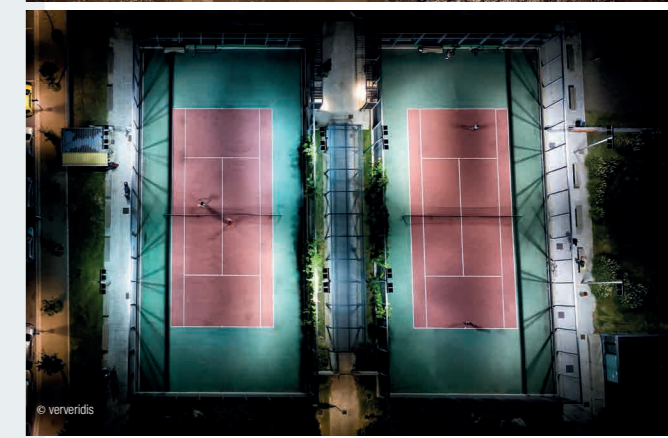
Install the Energyline XL540 floodlight on our professional tripod XXL.



Max. 4.6 m

Professional tripod XXL

Art. no. 46758
See catalogue



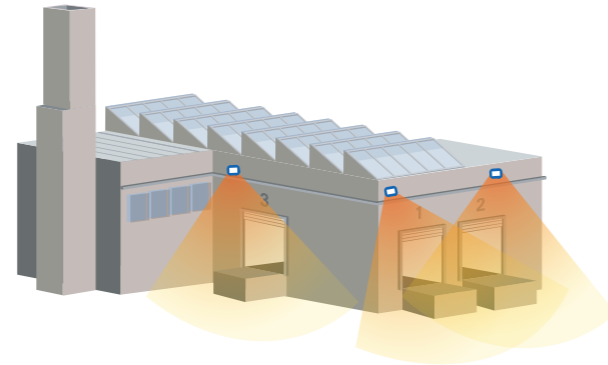
Energyline XL application options

XL180

180 watt
Approx. 25,200 lumen Art. no. 46271



The Energyline XL180 is perfectly suited for the illumination of **loading ramps**. Installing the light at a height of approx. 6 m provides optimal illumination of the area in front. We recommend attaching the floodlight to the side above the doorways.

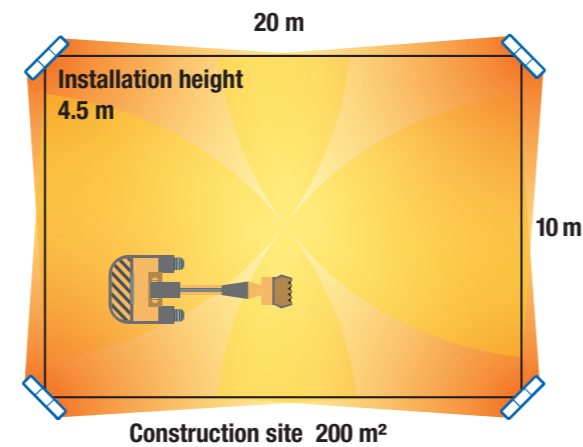


XL540

540 watt
Approx. 75,600 lumen Art. no. 46272



Four Energyline XL540 floodlights can illuminate one **construction site** or a **playing field** with an area of 20 x 10 m. The floodlights must be installed one at each corner, at a height of approx. 4.5 m on a professional tripod XXL, posts or railings.



XL1080

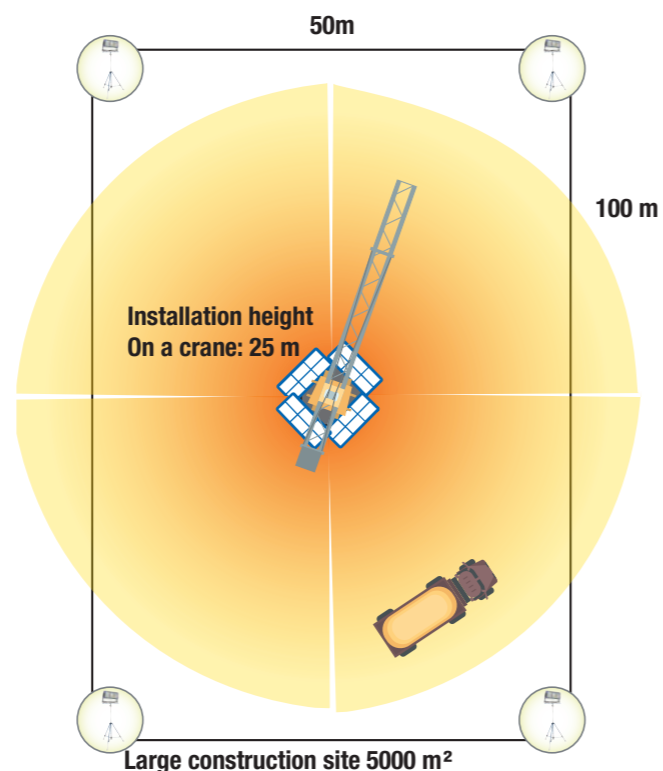
1080 watt
Approx. 151,200 lumen Art. no. 46273



For a **large construction site** with an area of approx. 100 x 50 m and a crane, four Energyline XL1080 floodlights can be installed at a height of 25 m at the foot of the crane.



For **optimal illumination** of the premises, we recommend fitting additional light sources at each corner of the construction site. Suitable options would be **four Energyline XL540 floodlights** (art. no. 46272) on our **professional tripod XXL** (art. no. 46758, see catalogue).



Light output of the Energyline XL

Our Energyline XL floodlights can illuminate a certain area depending on the height at which they are installed. The illuminance that will shine onto this area can be found in our beam diagram.

Installation height	Light output onto illuminated area			Illuminated area
	XL180	XL540	XL1080	
5 m	574.74 lux	1643.21 lux	3286.42 lux	78.54 m ²
10 m	136.93 lux	410.80 lux	821.60 lux	314.16 m ²
15 m	60.86 lux	182.58 lux	365.16 lux	706.86 m ²
20 m	34.23 lux	102.70 lux	205.40 lux	1256.64 m ²
25 m	21.91 lux	65.73 lux	131.46 lux	1963.50 m ²
30 m	15.21 lux	45.64 lux	91.29 lux	2827.43 m ²
40 m	8.56 lux	25.68 lux	51.35 lux	5026.55 m ²
50 m	5.48 lux	16.43 lux	32.86 lux	7853.98 m ²

Beam diagram for the Energyline XL series (art. no. 46271, 46272 and 46273)

* Our specified values are theoretical values. The perception of the brightness of light varies from person to person. Light is also heavily dependent on the environment, e.g. the properties of surfaces or colours, which can scatter or absorb the light.

Guidance for operational practice

The following illuminances* apply to working areas/workplaces/tasks on the construction site, for example:

10 lux	Company car parks
20 lux	General illumination on construction sites, transport routes
50 lux	Crude tasks on construction sites such as excavation work, unskilled labour and warehouse work, transport, laying drainage pipes
100 lux	Normal tasks on construction sites such as the assembly of finished parts, formwork, simple reinforcement work, reinforced concrete work and bricklaying, installation work, working in tunnels
100 lux	Loading and unloading containers
200 lux	Delicate tasks on construction sites such as complex installations, surface treatment, connecting structural elements

* Specifications from the DGUV Information 215-210 and ASR A3.4

The German Social Accident Insurance DGUV provides detailed information on the topic of **“Natural and artificial illumination of workplaces”** in the **DGUV Information 215-210**. (<https://publikationen.dguv.de>)

The **German Federal Institute for Occupational Safety and Health BAuA** has compiled a set of technical rules for workplace illumination (**ASR A3.4**). (www.baua.de)

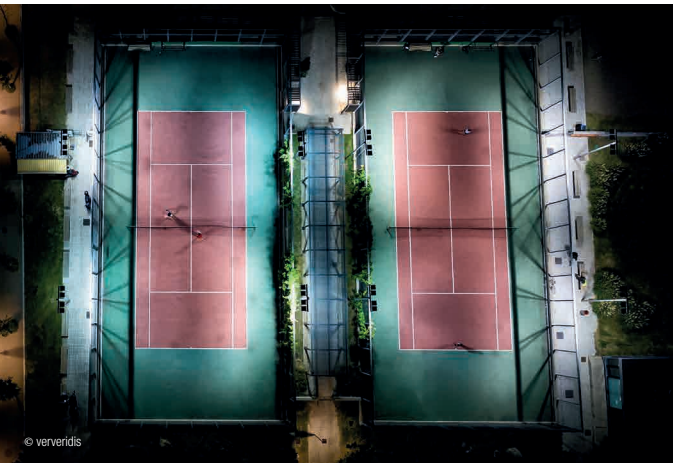
Both publications provide assistance in selecting the **correct illumination for workplaces** and indicate how workplace accidents and work-related health risks can be avoided. A **wide range of practical examples** show the **illuminance (in lux)** that needs to be achieved at a workplace in order to make safe working possible.



© agnormark



© Alexander



© ververidis



© AvailableLight

Energyline XL

LED floodlight for large areas

- For installation on **cranes** to illuminate large construction sites
- For **attachment onto tripods** for mobile use
- For illuminating **tunnels/mines** in underground mining
- For use as working lights in **construction site vehicles** on night-time construction sites or in underground mining
- For use as **ceiling illumination** in warehouses
- For the outdoor illumination of **loading ramps**
- For use as room lighting **in industrial applications**
- For use as a floodlight on **playing fields** or in **stadiums**

*Up to 151,200 lumen
at 4000 kelvin and CRI > 80*

Your partner for professional lighting and electrical products

as - Schwabe GmbH

Merkurstraße 10
D - 72184 Eutingen

Tel. +49 7457 9 48 53 10
Fax +49 7457 9 48 53 30

d.mueck@as-schwabe.de
www.as-schwabe.de

as®
Schwabe
TechnikProdukte