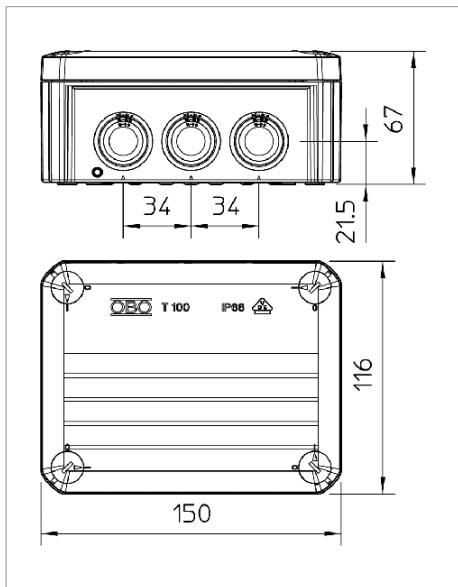


# Technical data sheet T 100, plug-in seal



The junction boxes are made of a thermoplastic polypropylene polymer with plug-in seals made of ethylene vinyl acetate (EVA). This allows installation of cables either directly through the 10 x M25 seals, or the seals can be cut with a knife at the pre-marked points, in order to create an insertion opening for cables or pipes. Alternatively, cable glands can be pushed through the openings instead of the seals and locked with a locknut from the inside. The junction boxes can be mounted on mounting plates in the openings on the floor using steel screws 3.5 x 9.5. Clear internal dimensions: 136 x 102 x 57 mm. Cover with labelling panel and lead-sealed.

Standard version: flame-resistant, testing temperature 650 °C.  
F version: highly flame-resistant, testing temperature 960 °C.



Type	Version	Entries	Colour	Box quantity	Pack. pcs	Weight kg/100 pcs.	Art.-No.
T 100	Standard	10 x M25	Light grey; RAL 7035	40	1	16.270	2007077
T 100 RW		10 x M25	Pure white; RAL 9010	40	1	16.270	2007533
T 100 M25-M32	Large entry	8 x M25 2 x M32	Light grey; RAL 7035	40	1	16.300	2007081
T 100 F	960 °C flame-resistant	10 x M25	Light grey; RAL 7035	40	1	16.270	2007347
T 100 RO-LGR	With red lid	10 x M25	Red grey	40	1	16.270	2007644
T 100 UV RW	UV-resistant	10 x M25	Pure white; RAL 9010	40	1	16.500	2007414
T 100 KL	With terminal strip	10 x M25	Light grey; RAL 7035	40	1	40.000	2007436

PP Polypropylene

E /100 pc.

## Legend



Protection rating IP 66



M25 entry



Nominal cross-section 10 mm<sup>2</sup>



10 cable entries



Nominal voltage 500 V



Communautés Européennes, EC declaration of conformity according to EC directives



Verband der Elektrotechnik, Elektronik, Informationstechnik e.V., Germany



Halogen-free; without chlorine, fluorine and bromine



Flame resistant 650 °C