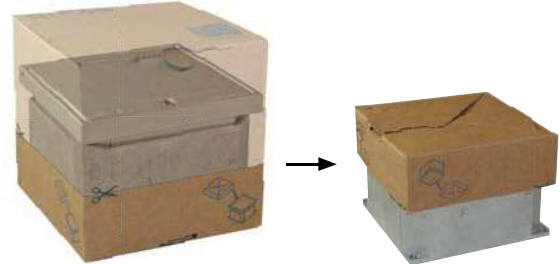


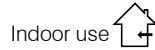
FONTO 4290



Protective cover made of cardboard (integrated in packaging)

Floor outlets with hinged cover and leveling frame
(Leveling feet optionally available)

Application



Technical data

Outer dimensions (L x W)	119 x 119 mm
Installation depth	approx. 83 mm (delivery setting)
Levellable	77 - 89 mm
Installation height with leveling feet	95 - 140 mm
Installation height with threaded pin extension	95* - 240 mm
Material	aluminium untreated (salt and seawater resistant)
Color	alu colored anodized
Maximum static load according to EN 50085	20kN

Features

- In staggered condition adjustable frame (+/- 6 mm) for easy adaptation to the finished floor level
- Floor socket to be set floor leveled with hinged cover
- For 2x input 45 x 45 x 4 mm (e.g. Schuko, RJ45, TV, HDMI, USB etc.)
- Protective cover made of cardboard to prevent damage during the construction phase (integrated in packaging)
- Can be travelled over when closed
- Suitable for maintenance with wet sweeping devices when closed (IP65)
- When plugged in: only for dry-cleaned floors (IP20)

EDP No. Product-ID-No. / Description

840725	FONTO.4290-1EG / Floor outlets with hinged cover 119x119x83 mm, closed IP65, alu colored anodized , for 2 modules 45 x 45 mm, levellable +/- 6 mm
--------	---

Version for sockets according to British standards

840852	FONTO.4290-1EG.UK / Floor outlets with hinged cover 119x119x83 mm, closed IP65, alu colored anodized , for 2 inserts British standard, levellable +/- 6 mm
--------	--

Accessories

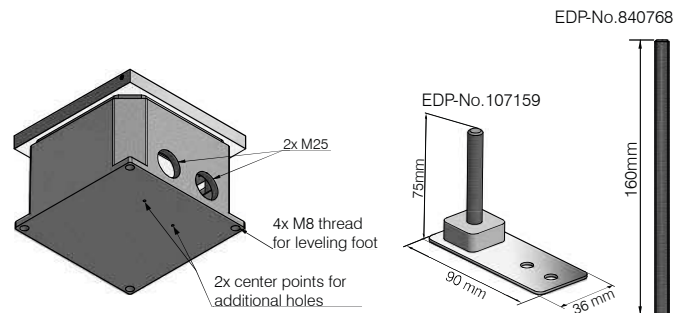
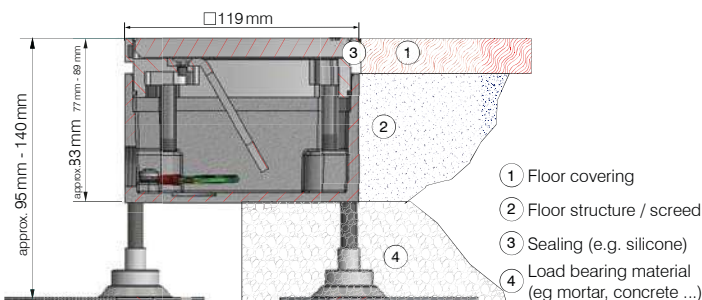
Accessories	Installation height
107159 FONTO.MASSO.NIVELLIERSCRAUBE. SENKVERTEILER / Leveling screw: consisting of: 1x base plate + 1x leveling pin M8x60	95 - 140 mm

Option

840768 M8.160.A2.DIN976-1 / Threaded rod M8 x 160 mm suitable for base plate 107159	95* - 240 mm
--	--------------

Inserts modul FONTO on page 14 - 15 !

* Shorten the setscrew as required



Leveling feet are only used to set up the floor socket. Loading class / stability is only achieved by backfilling the floor socket with solid material (mortar, concrete ...).

