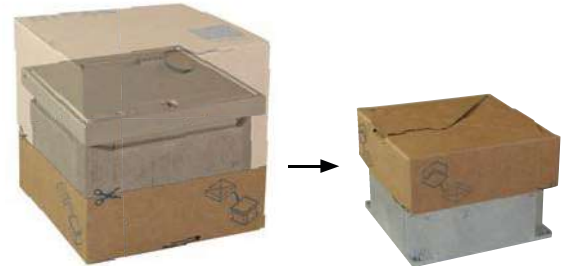


FONTO 4308
Designed for floor coverings



Protective cover made of cardboard (integrated in packaging)

Floor outlets with hinged cover and leveling frame
(Leveling feet optionally available)

Application

Indoor use

Technical data

Outer dimensions (L x W)	119 x 119 mm
Installation depth	approx. 83 mm (delivery setting)
Levellable	77 - 89 mm
Installation height with leveling feet	95 - 140 mm
Installation height with threaded pin extension	95* - 240 mm
Recess depth for flooring	7 mm
Material	Aluminium untreated (salt and seawater resistant)
Color	Alu colored anodized
Maximum static load according to EN 50085	20kN

Features

- In staggered condition adjustable frame (+/- 6 mm) for easy adaptation to the finished floor level
- Floor socket to be set floor leveled with hinged cover including 2x cable outlets
- For 2x input 45 x 45 x 4 mm (e.g. Schuko, RJ45, TV, HDMI, USB etc.)
- Protective cover made of cardboard to prevent damage during the construction phase (integrated in packaging)
- Can be travelled over when closed
- Suitable for maintenance with wet sweeping devices when closed (IP65)
- When plugged in: only for dry-cleaned floors (IP20)

EDP No. Artikel-Nr. / Bezeichnung

840766	FONTO.4308-1EG / Floor outlets with cover for flooring and cable outlet, 119x119x83 mm, closed IP65, alu colored anodized , 2 modules 45x45 mm, levellable +/- 6 mm
--------	---

Version for sockets according to British standards

840851	FONTO.4308-1EG.UK / Floor outlets with cover for flooring and cable outlet, 119x119x83 mm, closed IP65, alu colored anodized , for 2 inserts British standard, levellable +/- 6 mm
--------	--

Accessories **Installation height**

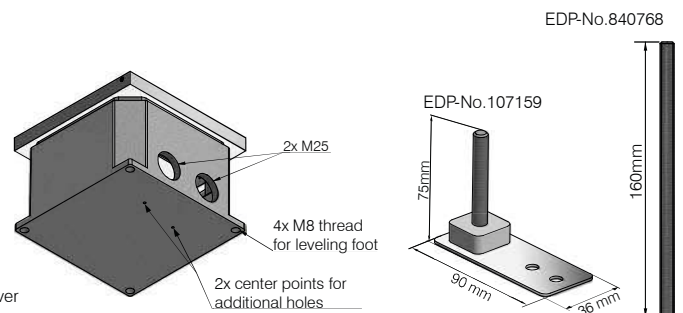
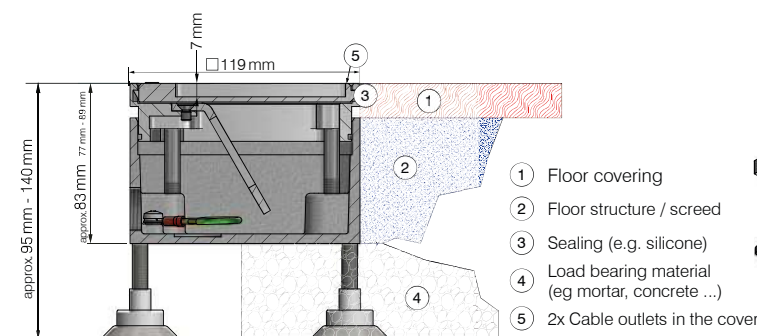
107159	FONTO.MASSO.NIVELLIERSCHRAUBE. SENKVERTEILER / Leveling screw: consisting of: 1x base plate + 1x leveling pin M8x60	95 - 140
--------	--	----------

Option

840768	M8.160.A2.DIN976-1 / Threaded rod M8 x 160 mm suitable for base plate 107159	95* - 240 mm
--------	--	--------------

Inserts modul FONTO on page 14 - 15 !

* Shorten the setscrew as required



Leveling feet are only used to set up the floor socket. Loading class / stability is only achieved by backfilling the floor socket with solid material (mortar, concrete ...).

CE