

FONTO 8301

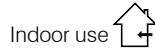


Slide-in piece for securely closing the cable outlet opening (recommended for accessible areas).

EDP-No.840862

Floor socket with hinged cover removable and leveling frame (Leveling feet optionally available)

Application



Technical data

Outer dimensions (L x W)	240 x 240 mm
Installation depth	approx. 95 mm (delivery setting)
Levellable	90 - 100 mm
Installation height with leveling feet	105 - 150 mm
Installation height with threaded pin extension	105* - 250 mm
Material	aluminium untreated (salt and seawater resistant)
Color	alu colored anodized
Maximum static load according to EN 50085	20kN

Features

- In staggered condition adjustable frame (+/- 5 mm) for easy adaptation to the finished floor level
- Floor socket to be set floor leveled with hinged cover including 4x cable outlets
- For 8x input 45 x 45 x 4 mm (e.g. Schuko, RJ45, TV, HDMI, USB etc.)
- Can be travelled over when closed
- Suitable for maintenance with wet sweeping devices when closed (IP65)
- Only for dry clean floors, both when closed and when plugged in (IP20)

EDP No.	Product-ID-No. / Description
840845	FONTO.8301-1EG / Floor outlets with hinged cover and cable outlet, 240x240x95 mm, closed IP65, alu colored anodized , for 8 modules 45x45 mm, levellable +/- 5 mm

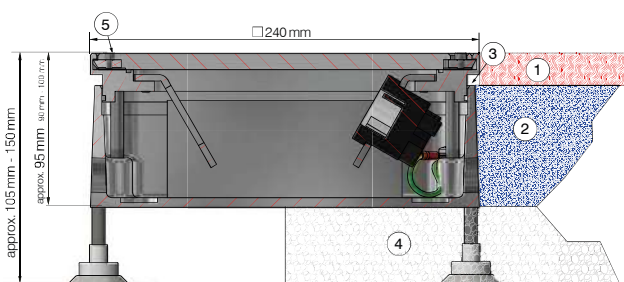
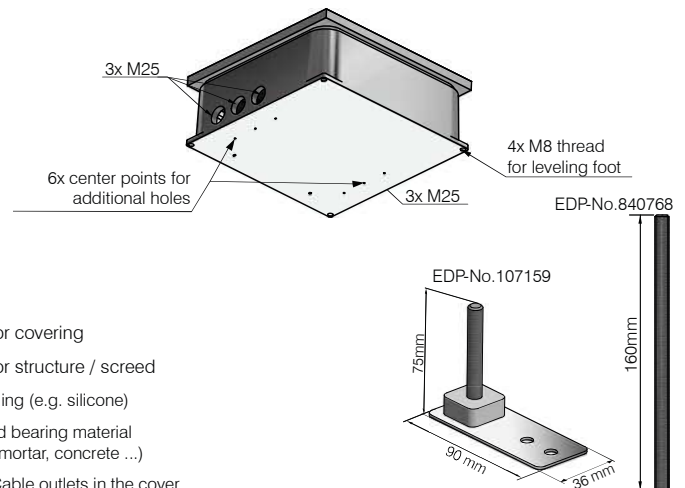
Version for sockets according to British standards

840865	FONTO.8301-1EG.UK / Floor outlets with hinged cover and cable outlet, 240x240x95 mm, closed IP65, alu colored anodized , for 8 inserts British standard, levellable +/- 5 mm
--------	---

Accessories	Installation height
107159 FONTO.MASSO.NIVELLIERSCHRAUBE. SENKVERTEILER / Leveling screw: consisting of: 1x base plate + 1x leveling pin M8x60	105 - 150 mm
840862 BD-FONTO.EINSATZ. KABELAUSLASS.8XXX.E / Insert for cable outlet floor socket FONTO 8301 and FONTO 8308 anodized aluminum	
Option	
840768 M8.160.A2.DIN976-1 / Threaded rod M8 x 160 mm suitable for base plate 107159	105* - 250 mm

Inserts modul FONTO on page 14 - 15 !

* Shorten the setscrew as required



- 1 Floor covering
- 2 Floor structure / screed
- 3 Sealing (e.g. silicone)
- 4 Load bearing material (eg mortar, concrete ...)
- 5 4x Cable outlets in the cover

Leveling feet are only used to set up the floor socket. Loading class / stability is only achieved by backfilling the floor socket with solid material (mortar, concrete ...).



07/2021/1.0