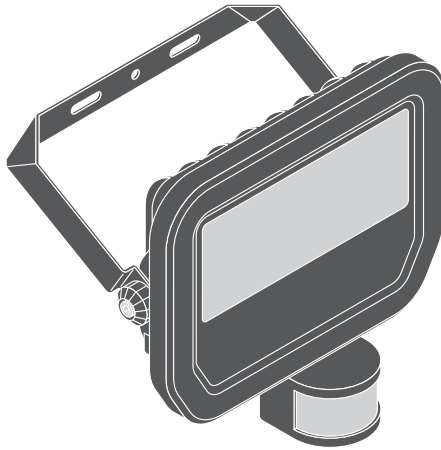


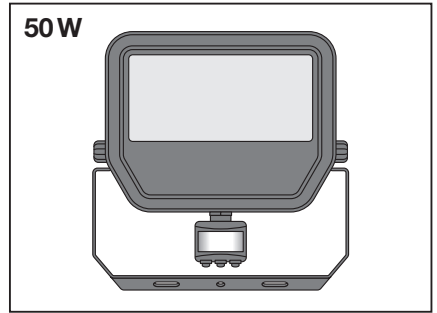
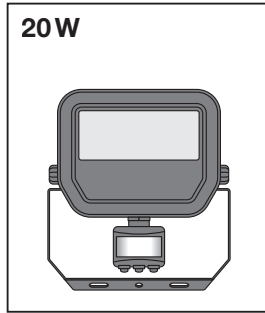
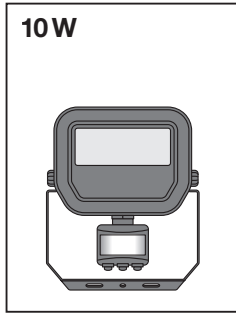
FLOODLIGHT SENSOR

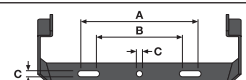


10W / 20W / 50W

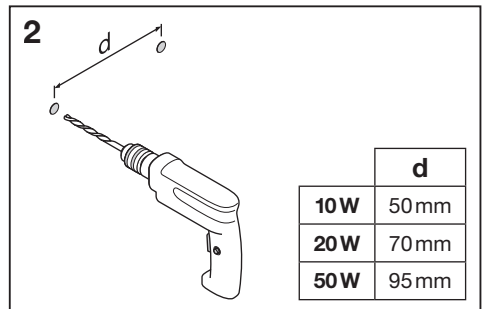
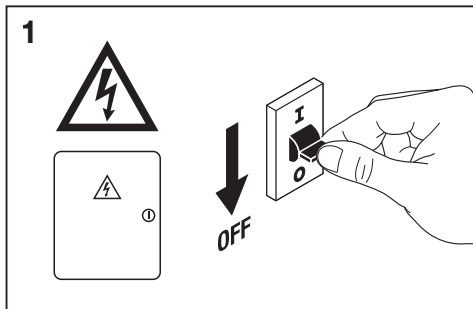
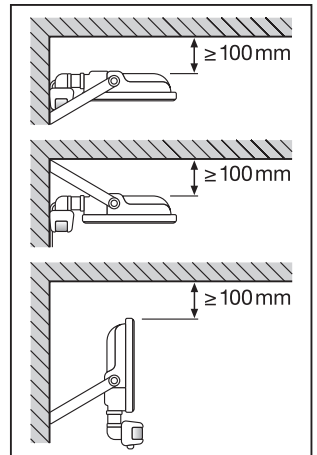
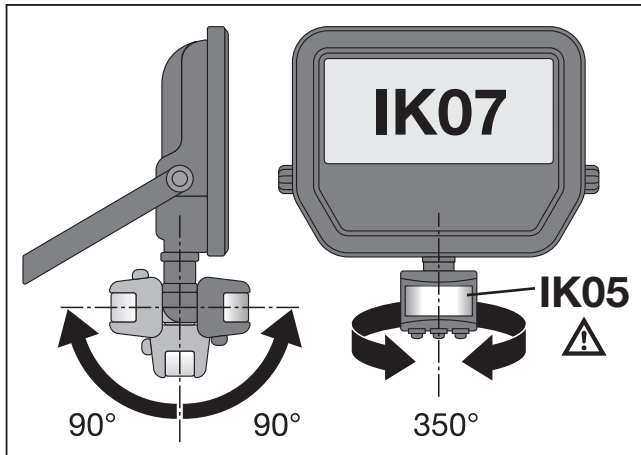


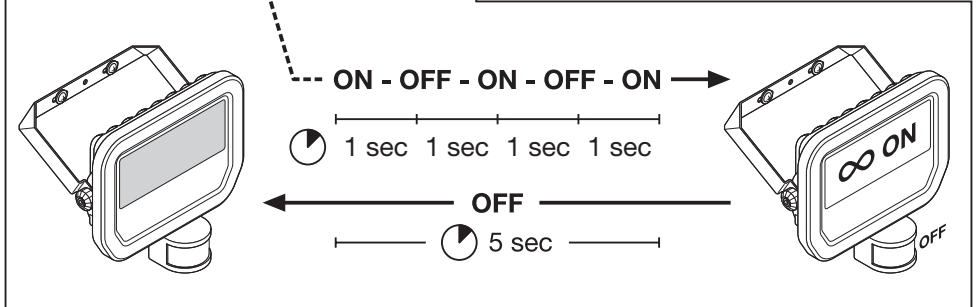
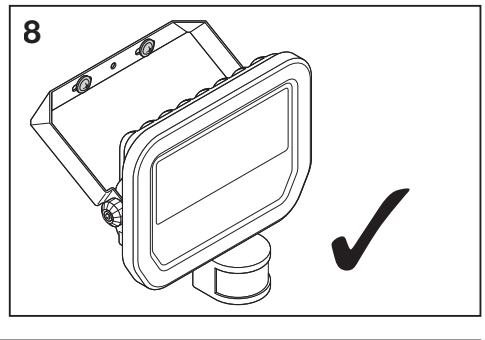
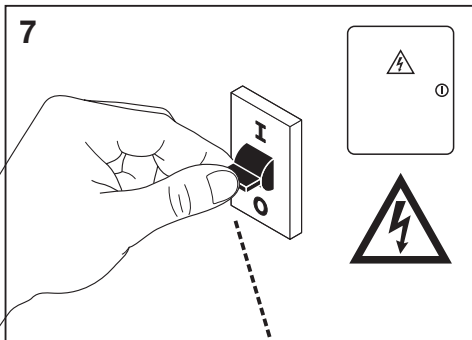
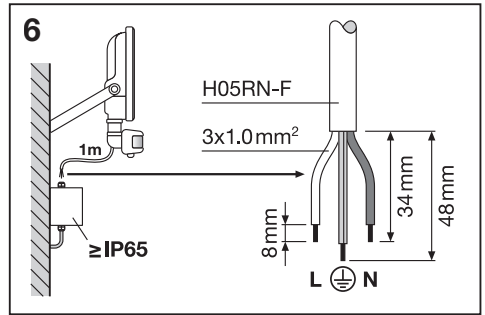
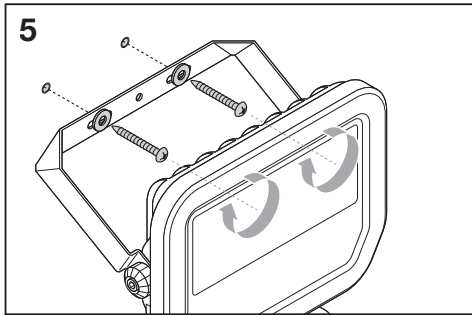
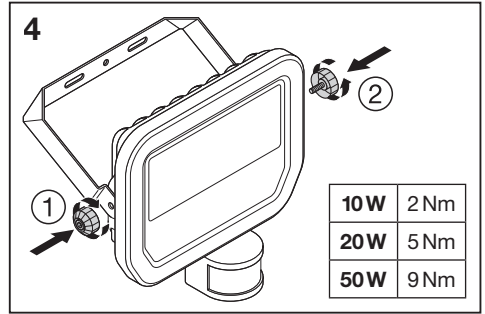
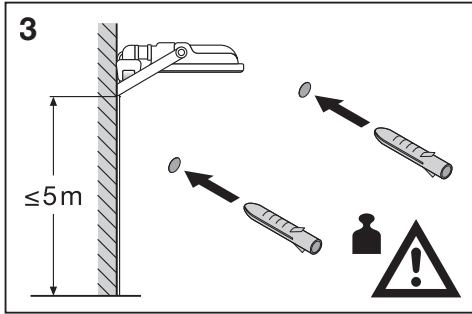
	EAN	l x w x h [mm]	W	V _{AC}	Hz	lm	lm/W	K
FL PFM 10W/3000K SYM 100 S BK	4058075460836	159x131x53	10	100-277V	50/60Hz	1100	110	3000
FL PFM 10W/3000K SYM 100 S WT	4058075460850	159x131x53	10	100-277V	50/60Hz	1100	110	3000
FL PFM 10W/4000K SYM 100 S BK	4058075460874	159x131x53	10	100-277V	50/60Hz	1200	120	4000
FL PFM 10W/4000K SYM 100 S WT	4058075460898	159x131x53	10	100-277V	50/60Hz	1200	120	4000
FL PFM 20W/3000K SYM 100 S BK	4058075460911	176x156x55	20	100-277V	50/60Hz	2200	110	3000
FL PFM 20W/3000K SYM 100 S WT	4058075460935	176x156x55	20	100-277V	50/60Hz	2200	110	3000
FL PFM 20W/4000K SYM 100 S BK	4058075460959	176x156x55	20	100-277V	50/60Hz	2400	120	4000
FL PFM 20W/4000K SYM 100 S WT	4058075460973	176x156x55	20	100-277V	50/60Hz	2400	120	4000
FL PFM 50W/3000K SYM 100 S BK	4058075460997	225x219x59	50	100-277V	50/60Hz	5500	110	3000
FL PFM 50W/3000K SYM 100 S WT	4058075461017	225x219x59	50	100-277V	50/60Hz	5500	110	3000
FL PFM 50W/4000K SYM 100 S BK	4058075461031	225x219x59	50	100-277V	50/60Hz	6000	120	4000
FL PFM 50W/4000K SYM 100 S WT	4058075461055	225x219x59	50	100-277V	50/60Hz	6000	120	4000

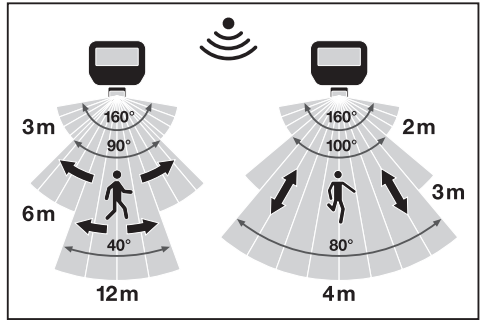
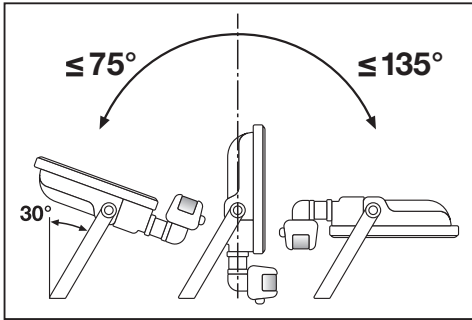
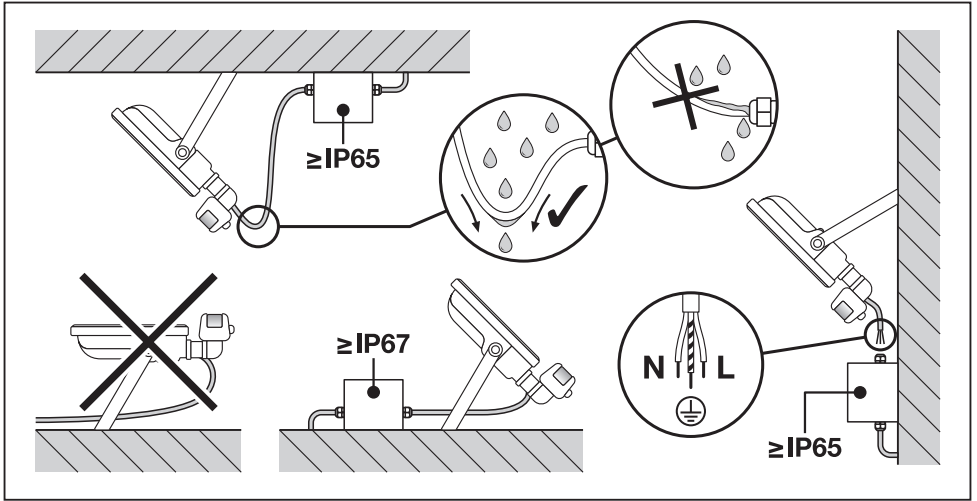
	EAN	IP	IK	∇	R _a	° (°C)	PF	⚖️
FL PFM 10W/3000K SYM 100 S BK	4058075460836	65	07/05	100°	≥ 80	-30...+50	> 0.9	0.45 kg
FL PFM 10W/3000K SYM 100 S WT	4058075460850	65	07/05	100°	≥ 80	-30...+50	> 0.9	0.45 kg
FL PFM 10W/4000K SYM 100 S BK	4058075460874	65	07/05	100°	≥ 80	-30...+50	> 0.9	0.45 kg
FL PFM 10W/4000K SYM 100 S WT	4058075460898	65	07/05	100°	≥ 80	-30...+50	> 0.9	0.45 kg
FL PFM 20W/3000K SYM 100 S BK	4058075460911	65	07/05	100°	≥ 80	-30...+50	> 0.9	0.55 kg
FL PFM 20W/3000K SYM 100 S WT	4058075460935	65	07/05	100°	≥ 80	-30...+50	> 0.9	0.55 kg
FL PFM 20W/4000K SYM 100 S BK	4058075460959	65	07/05	100°	≥ 80	-30...+50	> 0.9	0.55 kg
FL PFM 20W/4000K SYM 100 S WT	4058075460973	65	07/05	100°	≥ 80	-30...+50	> 0.9	0.55 kg
FL PFM 50W/3000K SYM 100 S BK	4058075460997	65	07/05	100°	≥ 80	-30...+50	> 0.9	1.05 kg
FL PFM 50W/3000K SYM 100 S WT	4058075461017	65	07/05	100°	≥ 80	-30...+50	> 0.9	1.05 kg
FL PFM 50W/4000K SYM 100 S BK	4058075461031	65	07/05	100°	≥ 80	-30...+50	> 0.9	1.05 kg
FL PFM 50W/4000K SYM 100 S WT	4058075461055	65	07/05	100°	≥ 80	-30...+50	> 0.9	1.05 kg



		A	B	C		 m^2	230 Vac		
							C10A	B16A	C16A
10 W		58	38	5.5	2x M5	0.012 m ²	135	185	216
20 W		78	58	6.5	2x M6	0.016 m ²	62	85	99
50 W		108	78	8.5	2x M8	0.032 m ²	25	35	41







	SENS 	LUX 	TIME
	~2 m	< 10 lx	~10 sec ±3sec
	~6 m	< 100 lx	~5 min ±2 min
	~12 m	< 2000 lx	~12 min ±3min

RoHS



C10449057
 G11094575
 30.03.20

LEDVANCE GmbH
 Steinerne Furt 62
 86167 Augsburg, Germany
www.ledvance.com