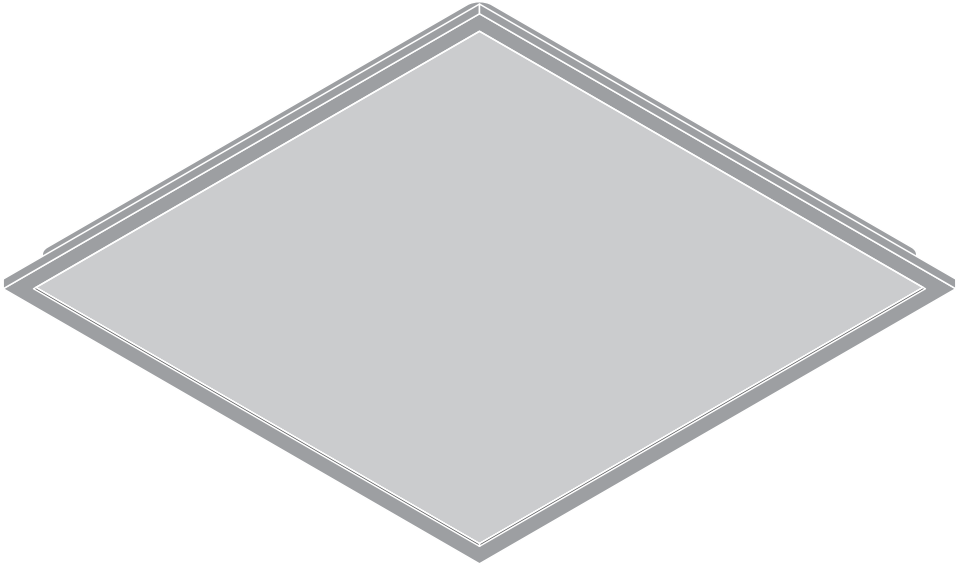
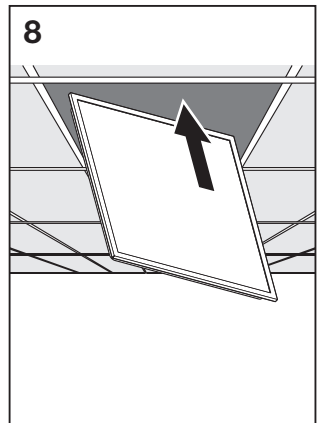
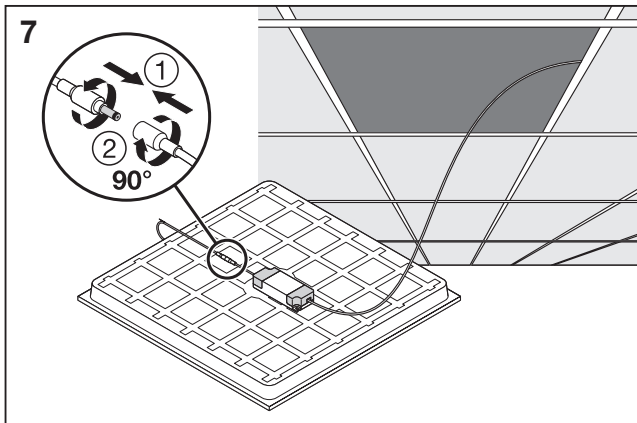
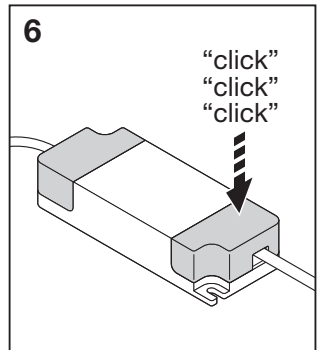
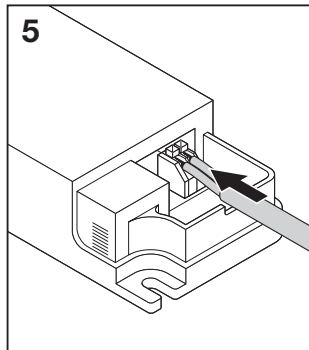
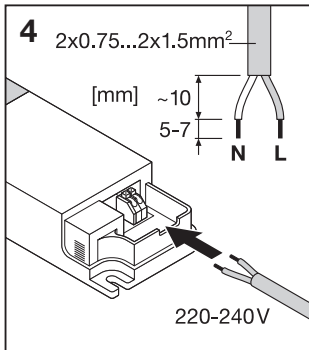
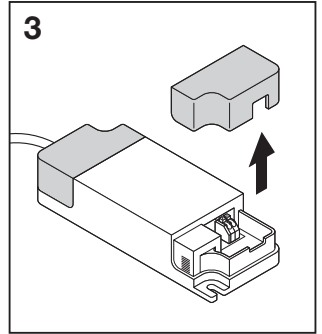
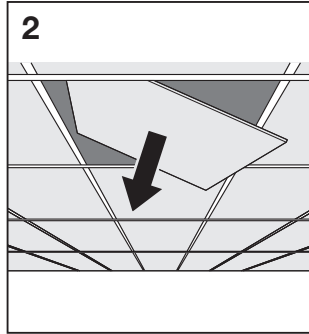
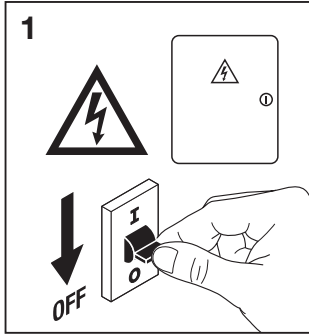
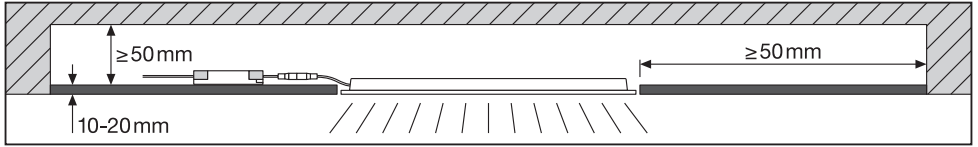


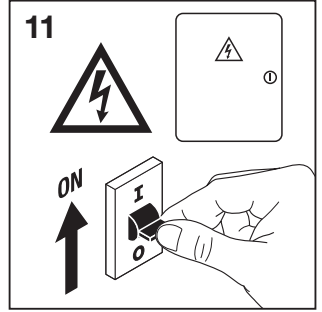
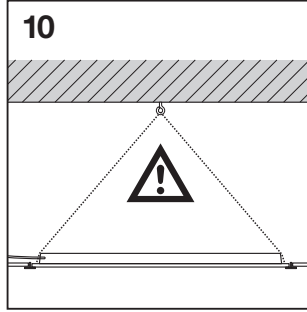
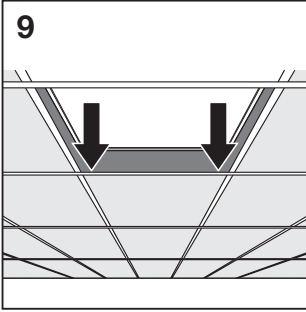
PANEL VALUE 600/625





	EAN	l x w x h [mm]	W	VAC	Hz	lm	lm/W	K
PL VAL 600 36W/3000K	4058075392366	595 x 595 x 35	36	220-240	50/60	3600	100	3000
PL VAL 600 36W/4000K	4058075392380	595 x 595 x 35	36	220-240	50/60	3600	100	4000
PL VAL 600 36W/6500K	4058075392403	595 x 595 x 35	36	220-240	50/60	3600	100	6500
PL VAL 600 36W/3000K UGR19	4058075392427	595 x 595 x 35	36	220-240	50/60	3600	100	3000
PL VAL 600 36W/4000K UGR19	4058118142200	595 x 595 x 35	36	220-240	50/60	3600	100	4000
PL VAL 625 36W/4000K UGR19	4058075392588	620 x 620 x 35	36	220-240	50/60	3600	100	4000

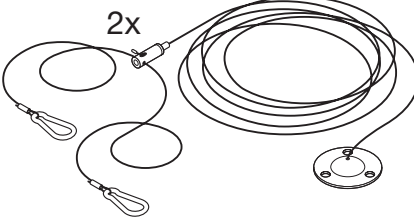
	EAN	IP	IK	∇	R _a	⎓ (°C)	PF	👤
PL VAL 600 36W/3000K	4058075392366	40	02	120°	>80	-10...+45	>0.9	1.8 kg
PL VAL 600 36W/4000K	4058075392380	40	02	120°	>80	-10...+45	>0.9	1.8 kg
PL VAL 600 36W/6500K	4058075392403	40	02	120°	>80	-10...+45	>0.9	1.8 kg
PL VAL 600 36W/3000K UGR19	4058075392427	40	02	90°	>80	-10...+45	>0.9	1.8 kg
PL VAL 600 36W/4000K UGR19	4058118142200	40	02	90°	>80	-10...+45	>0.9	1.8 kg
PL VAL 625 36W/4000K UGR19	4058075392588	40	02	90°	>80	-10...+45	>0.9	1.9 kg

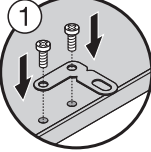


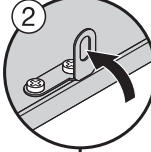


Suspension Kit
EAN 4058075402928

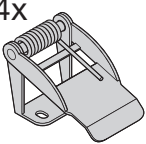
4x  8x 

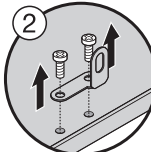
2x 

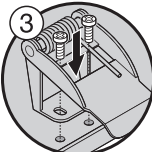
1 

2 

Recessed Mount Clips Value
EAN 4058075409859


4x 

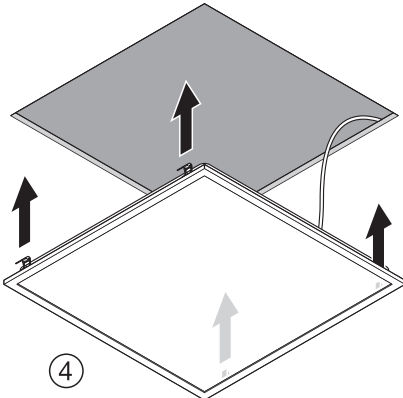
2 

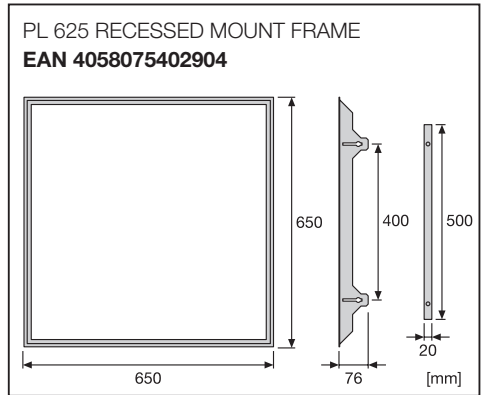
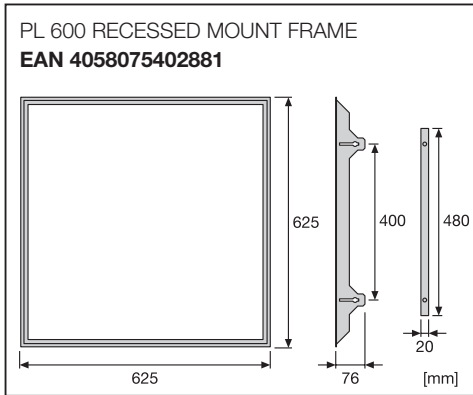
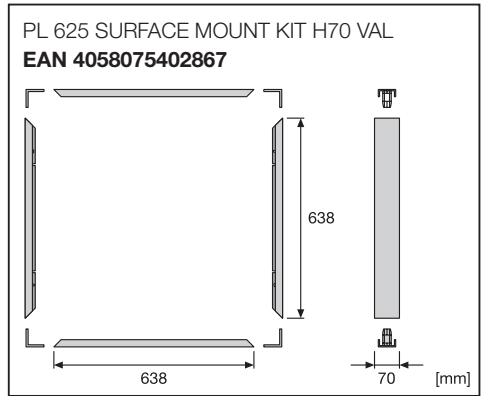
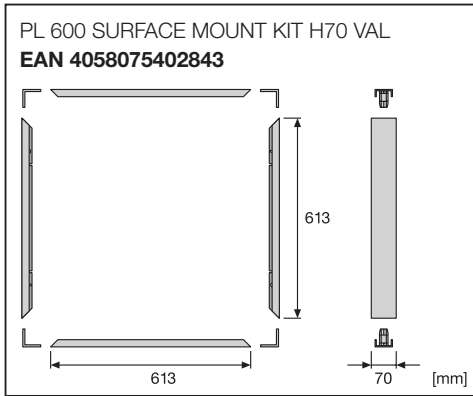
3 

Panel 600: 580mm
Panel 625: 605mm

Panel 600: 580mm
Panel 625: 605mm

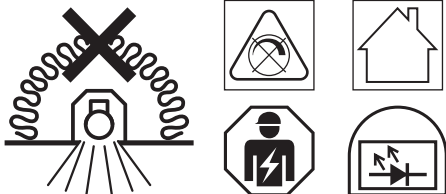
1 

4 



B16A	C10A	C16A
15	15	24

CE RoHS



C10449057
 G11094886
 06.03.20



LEDVANCE GmbH
 Steinerne Furt 62
 86167 Augsburg, Germany
www.ledvance.com